

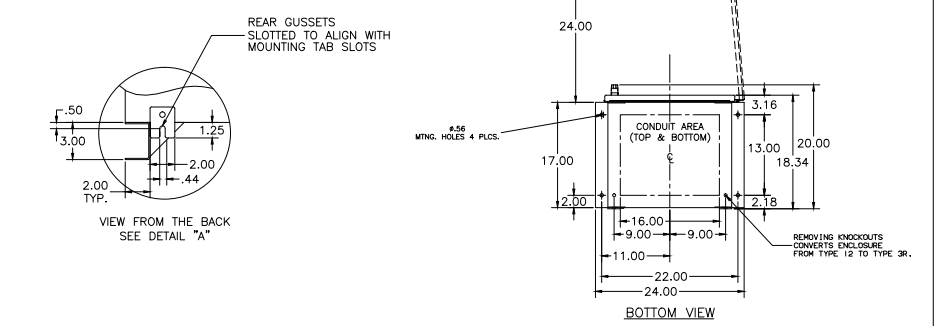
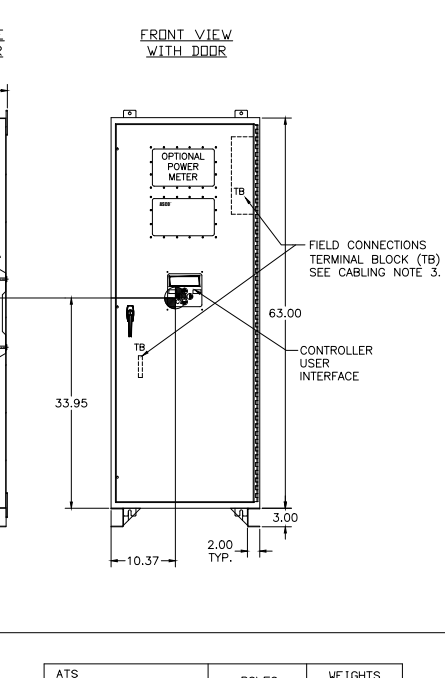
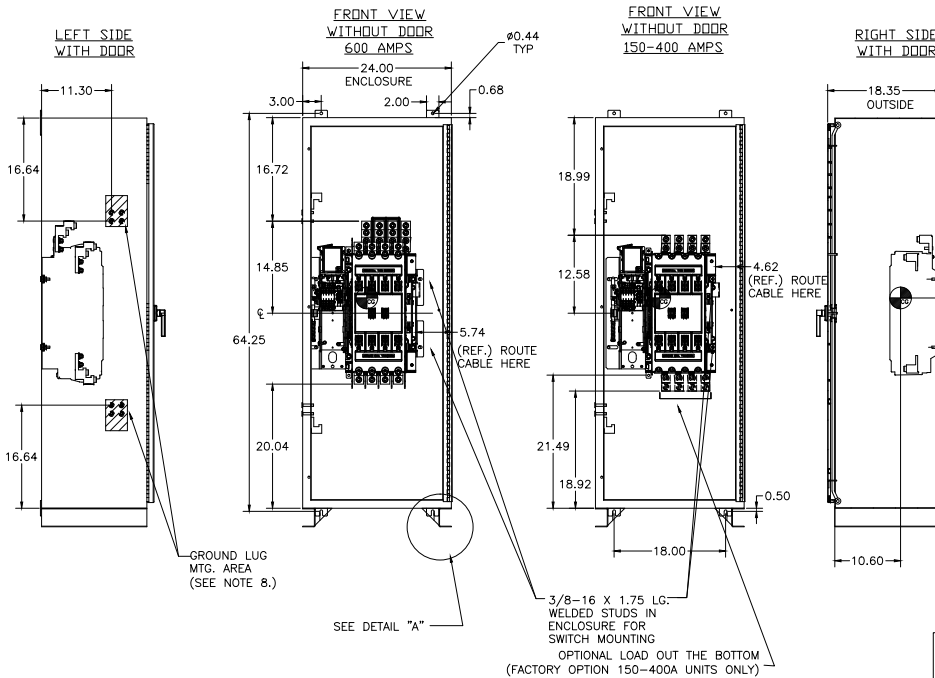
Lake County Animal Shelter

26 36 00

400A

*Automatic Transfer
Switch*

OUTLINE FOR ASCO® 300 SERIES 150-600 AMPERE "J" FRAME (3ATS,3NTS,3ADTS,3NDTS) FRONT CONNECTED TRANSFER SWITCHES TYPE 3R/12 ENCLOSURE



GENERAL NOTES

- TYPE 3R/12 ENCLOSURE, FREE STANDING, FLOOR OR WALL MOUNTABLE, 14 GAUGE CONSTRUCTION.
- THREE POINT LATCHING DOOR WITH LOCKABLE HANDLE.
- FINISH: ANSI 61 GRAY, POLYESTER POWDER STANDARD. OTHER ANSI COLORS AVAILABLE CONSULT FACTORY UL RECOGNIZED.
- RECOMMENDED CLEARANCES:
FRONT: 24 INCHES
- A 20K RATED GROUND BUS IS PROVIDED.
- UNIT IS DESIGNED FOR COMBINATION TOP AND BOTTOM CABLE ENTRY, THE STANDARD SWITCH CONFIGURATION IS FOR TOP LUGS EMERGENCY AND LOAD AND BOTTOM LUGS NORMAL. OPTIONALLY, THE SWITCH MAY BE SUPPLIED WITH REVERSE NORMAL & EMERGENCY LUGS. (REFER TO THE WIRING DIAGRAM FURNISHED WITH EACH TRANSFER SWITCH TO DETERMINE TERMINATION POSITIONS).
- A FULL RATED NEUTRAL CONNECTION FOR EACH SOURCE AND THE LOAD IS OPTIONAL, WHEN PROVIDED IT IS IN ONE OF THE FOLLOWING FORMATS AS SPECIFIED BY THE CATALOG NO. NEUTRAL TYPE:
A. SOLID (COPPER BUS) NEUTRAL
B. SWITCHED NEUTRAL POLE
C. OVERLAPPING NEUTRAL POLE (NOT AVAILABLE ON 7ACTS/ADTS UNITS)
- CENTER OF GRAVITY.

CABLING NOTES

- ALL SIZES SUPPLIED STANDARD WITH MECHANICAL (SCREW TYPE) LUGS. (SEE AMP SIZE BELOW)
A. LUG MATERIAL: ALUMINUM ALLOY 6061-T8 WITH ELECTRO TIN PLATED FINISH.
B. SCREW MATERIAL: ALUMINUM ALLOY 6262-T9 WITH ELECTRO TIN PLATED FINISH.
C. UL LISTED, CSA CERTIFIED.
D. LUG SCREW TIGHTENING TORQUE PER UL 486B: 19 FT-LBS.
E. SUITABLE WIRE BENDING SPACE IS PROVIDED. (SEE AMP SIZE BELOW)
- GROUND LUGS ARE PROVIDED STANDARD AS FOLLOWS. (SEE AMP SIZE BELOW).
- CUSTOMER TERMINAL BLOCKS:
FOR ALL 300 SERIES 3ADTS, 3NDTS UNITS THE TB WILL BE MOUNTED ON THE UPPER RIGHT INSIDE OF ENCLOSURE, FOR 3ATS AND 3NTS UNITS TB WILL BE MOUNTED ON THE TRANSFER SWITCH FRAME AS INDICATED.

NOTES 150-400 AMP SWITCHES

- SUPPLIED WITH STANDARD MECHANICAL (SCREW TYPE) LUGS ON THE NORMAL, EMERGENCY & LOAD BUS STABS. ONE (1) LUG PER PHASE AND NEUTRAL EACH SUITABLE FOR CONNECTION OF TWO (2) 1/0 -250MCM CU/AL CABLES OR ONE (1) #4 -600MCM CU/AL CABLE.
A. SUITABLE WIRE BENDING SPACE IS PROVIDED FOR UP TO ONE (1) 600MCM CABLE PER TERMINAL PER NEC.
- GROUND LUGS ARE PROVIDED STANDARD AS FOLLOWS:
SIX (6) 1/0 -250MCM CU/AL CABLES OR THREE (3) #4 -600MCM CU/AL CABLE CONNECTIONS.

NOTES 600 AMP SWITCHES

- SUPPLIED WITH STANDARD MECHANICAL (SCREW TYPE) LUGS ON THE NORMAL, EMERGENCY & LOAD BUS STABS. ONE (1) LUG PER PHASE AND NEUTRAL EACH SUITABLE FOR CONNECTION OF TWO (2) #2 -600MCM CU/AL CABLES.
A. SUITABLE WIRE BENDING SPACE IS PROVIDED FOR UP TO TWO (2) 600MCM CABLE PER TERMINAL PER NEC.
- GROUND LUGS ARE PROVIDED STANDARD AS FOLLOWS:
SIX (6) #2 -600MCM CU/AL CABLE CONNECTIONS.

ATS SWITCH RATING (AMPS)	POLES	WEIGHTS LB (KG)
260-400	2	206 (93)
260-400	C2	N/A
260-400	3	212 (96)
260-400	C3	N/A
260-400	4	218 (99)
600	2	211 (96)
600	C2	N/A
600	3	215 (98)
600	C3	N/A
600	4	225 (102)

CTS/DTS SWITCH RATING (AMPS)	POLES	WEIGHTS LB (KG)
150-400	2	222 (101)
150-400	C2	N/A
150-400	3	228 (104)
150-400	C3	N/A
150-400	4	224 (102)
600	2	247 (112)
600	C2	N/A
600	3	234 (106)
600	C3	N/A
600	4	241 (109)

249736	TR	WK	7/25/14
SEE ECN			
245551	BK	BK	11/25/13
ISSUED			
REV. TO	ECN NO.	BY	DATE
PROJECT NAME: OUTLINE			
COMPOSITE: 300 SERIES TS "J" 150-600 AMP TYPE 3R/12			
BY	DATE	MANUFACTURING TOLERANCES TO BE IN ACCORDANCE WITH ASCO PROCEDURE MP-1-001. FOR PLASTIC PARTS SEE MP-1-005	ASSM. REF. NO.
DJB	11/25/13		
CHECKED	BY	PROPERTY OF ASCO POWER TECHNOLOGIES, USE RESTRICTED FOR OUR WORK ONLY. ALL RIGHTS OF DESIGN OR INVENTION ARE RESERVED.	SCALE
BK	11/25/13		HOME DS
DESIGN APPROVAL			1001393-002
DATE			DRAWING A 1001393-002
			REV. NO. 249736
ASCO ASCO POWER TECHNOLOGIES, L.P. FLORHAM PARK, NEW JERSEY 07932 U.S.A.			
			SHEET 1 OF 1